

RICHIEDENTE
APPLICANT / CLIENT

.....
.....
.....



TIMBRO / CUSTOMER'S SEAL / TAMPON

MODELLO
MODEL / MODELE

ENZO : EN-PSCF

ALTEZZA
HEIGHT / HAUTEUR

..... mm.

LASTRA
GLASS / VERRE

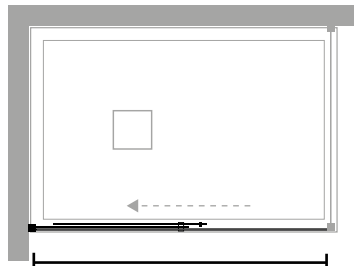
.....

COLORE
COLOUR / COULEUR

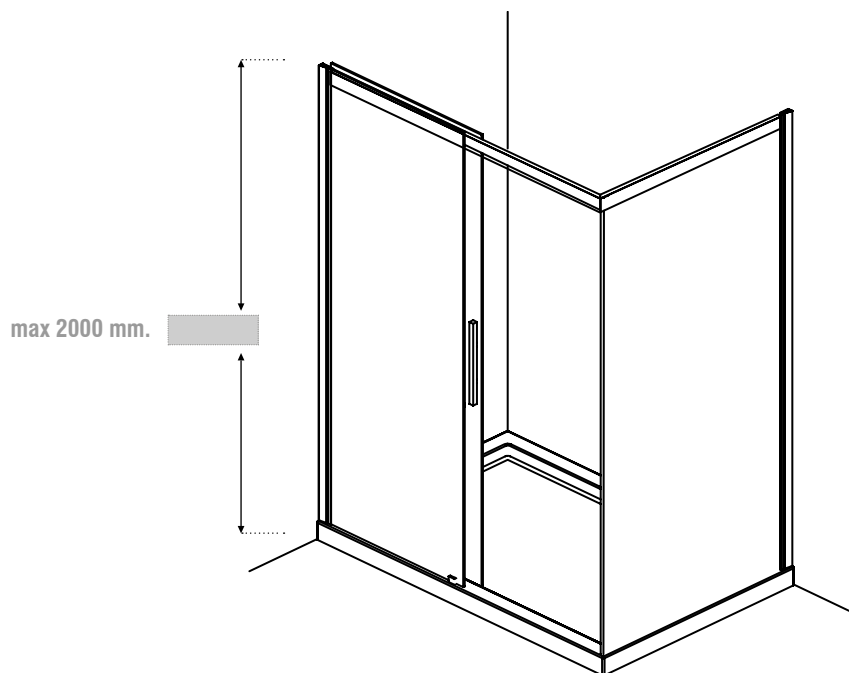
.....

NOTE / NOTES / NOTES

.....
.....
.....



min 900 / max 1600 mm.



max 2000 mm.