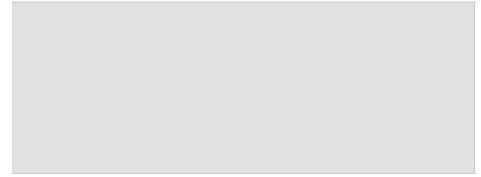


RICHIEDENTE
APPLICANT / CLIENT

.....
.....
.....



TIMBRO / CUSTOMER'S SEAL / TAMPON

MODELLO SPAZIO 300 : CO-3PPI
MODEL / MODELE

ALTEZZA
HEIGHT / HAUTEUR

..... mm.



NON REVERSIBILE
NON-REVERSIBLE / NON REVERSIBLE

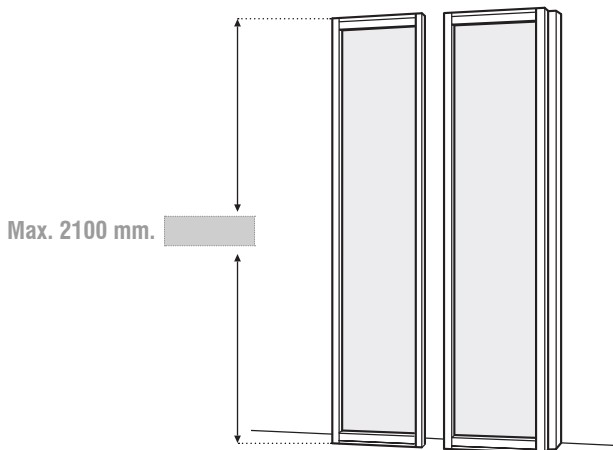
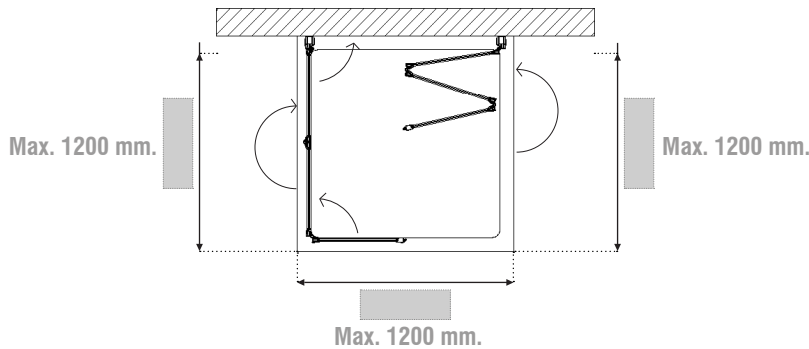
LASTRA
GLASS / VERRE

.....

COLORE
COLOUR / COULEUR

NOTE / NOTES / NOTES

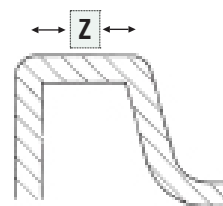
.....
.....
.....



INSTALLAZIONE
INSTALLATION / TYPE D'INSTALLATION

A PAVIMENTO
FLOOR INSTALLATION / SUR LE SOL

SU PIATTO DOCCIA
SHOWER TRAY INSTALLATION / SUR RECEVEUR



Z: MM.