

RICHIEDENTE
APPLICANT / CLIENT

.....
.....
.....



TIMBRO / CUSTOMER'S SEAL / TAMPON

MODELLO SPAZIO 200 : CO-2PPI
MODEL / MODELE

ALTEZZA mm.
HEIGHT / HAUTEUR



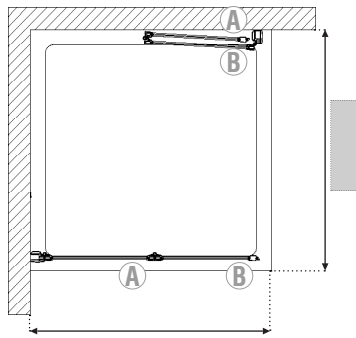
NON REVERSIBILE
NON-REVERSIBLE / NON REVERSIBLE

LASTRA
GLASS / VERRE

COLORE
COLOUR / COULEUR

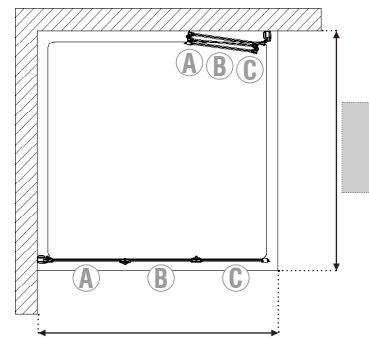
NOTE / NOTES / NOTES

.....
.....
.....



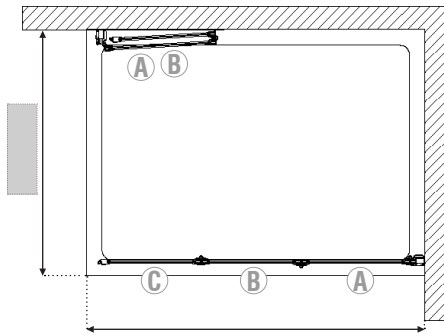
Versione 2+2 Ante
Version 2+2 Panels - Version 2+2 Volets

Max. 990 mm.



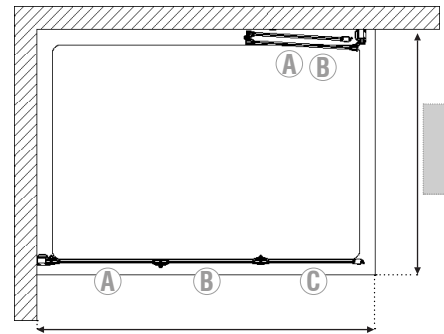
Versione 3+3 Ante
Version 3+3 Panels - Version 3+3 Volets

Min. 1000 mm. - Max 1400 mm.



Versione 3+2 Ante DX
Version 3+2 Panels (R/handed DX) - Version 3+2 Volets DR

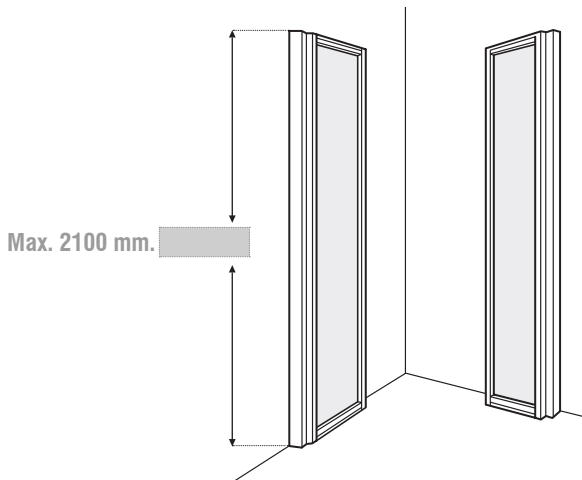
Min. 1000 mm. - Max 1400 mm.



Versione 3+2 Ante SX
Version 3+2 Panels (L/handed SX) - Version 3+2 Volets GA

Min. 1000 mm. - Max 1400 mm.

DATA - DATE - DATE



INSTALLAZIONE

INSTALLATION / TYPE D'INSTALLATION



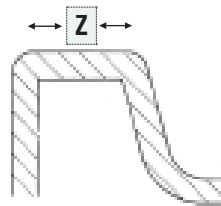
A PAVIMENTO

FLOOR INSTALLATION / SUR LE SOL



SU PIATTO DOCCIA

SHOWER TRAY INSTALLATION / SUR RECEVEUR



Z: MM.