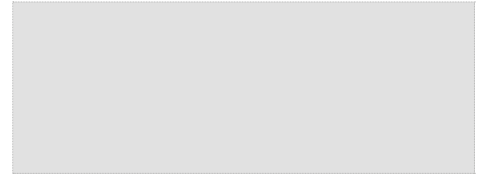


RICHIEDENTE
APPLICANT / CLIENT

.....
.....
.....



TIMBRO / CUSTOMER'S SEAL / TAMPON

MODELLO SPAZIO 100 : CO-1PPI
MODEL / MODELE

ALTEZZA
HEIGHT / HAUTEUR

..... mm.



REVERSIBILE
REVERSIBLE / REVERSIBLE

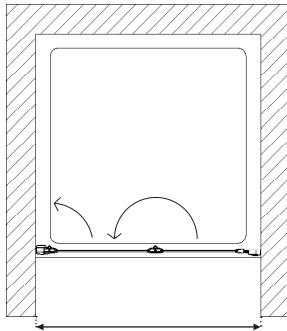
LASTRA
GLASS / VERRE

.....

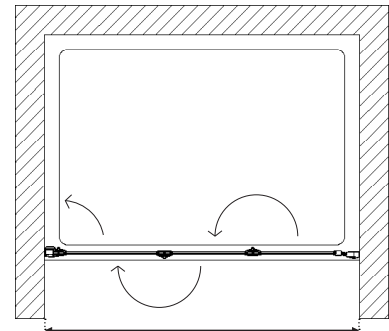
COLORE
COLOUR / COULEUR

NOTE / NOTES / NOTES

.....
.....
.....



2 Ante
2 Panels - 2 Volets
Max. 890 mm.



3 Ante
3 Panels - 3 Volets
Min. 900 mm.
Max. 1400 mm.

