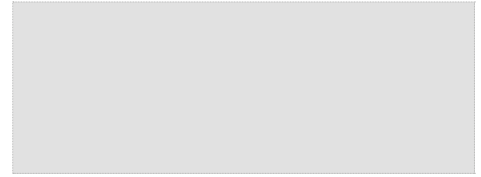


RICHIEDENTE
APPLICANT / CLIENT

.....
.....
.....



TIMBRO / CUSTOMER'S SEAL / TAMPON

MODELLO **FLORIDA PORTA : CO-PSC3**
MODEL / MODELE

ALTEZZA
HEIGHT / HAUTEUR

..... mm.



REVERSIBILE
REVERSIBLE / REVERSIBLE

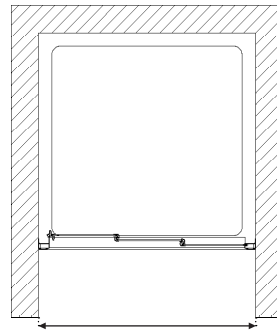
LAISTRA
GLASS / VERRE

.....

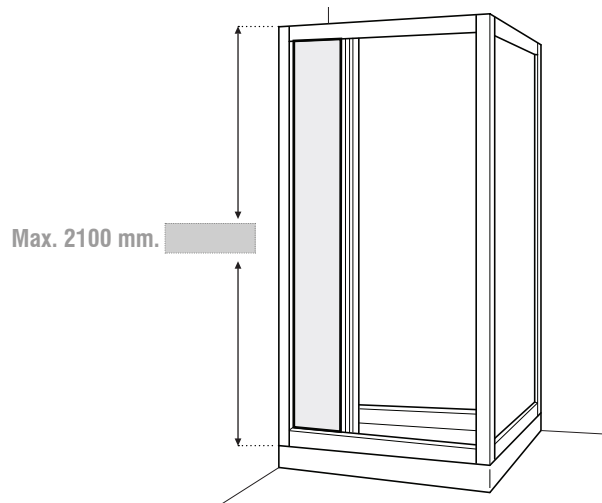
COLORE
COLOUR / COULEUR

NOTE / NOTES / NOTES

.....
.....
.....



Max. 1700 mm.



Max. 2100 mm.