

**RICHIEDENTE**  
APPLICANT / CLIENT

.....  
.....  
.....



TIMBRO / CUSTOMER'S SEAL / TAMPON

**MODELLO** **TOBAGO GIREVOLE : CO-PGI**  
MODEL / MODELE

**ALTEZZA**  
HEIGHT / HAUTEUR ..... mm.



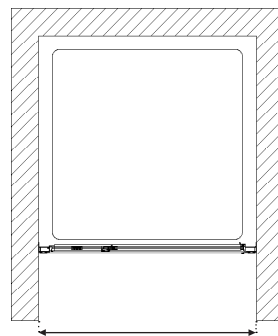
**REVERSIBILE**  
REVERSIBLE / REVERSIBLE

**LASTRA**  
GLASS / VERRE .....

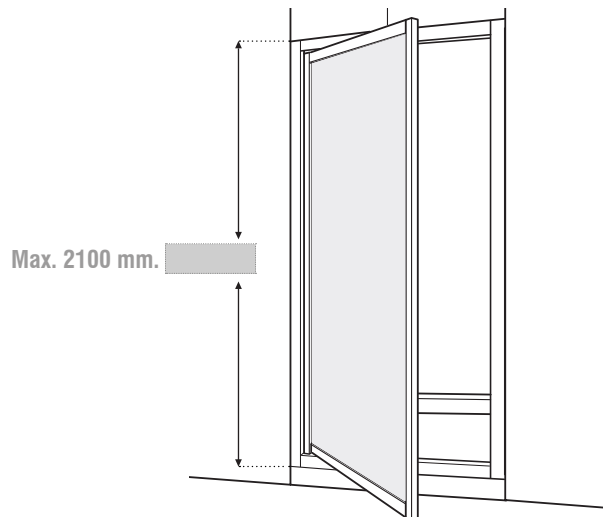
**COLORE**  
COLOUR / COULEUR .....

**NOTE** / NOTES / NOTES

.....  
.....  
.....



Max. 950 mm.



Max. 2100 mm.