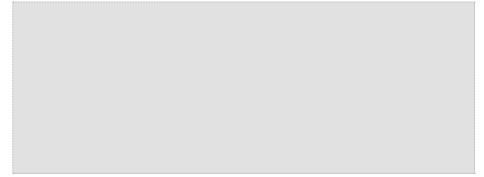


RICHIEDENTE
APPLICANT / CLIENT

.....
.....
.....



TIMBRO / CUSTOMER'S SEAL / TAMPON

MODELLO **DINO : DN-PSA2**
MODEL / MODELE

ALTEZZA
HEIGHT / HAUTEUR

..... mm.

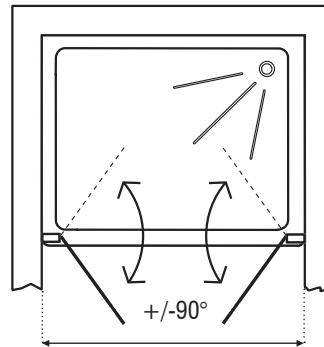
LASTRA
GLASS / VERRE

COLORE
COLOUR / COULEUR

.....

NOTE / NOTES / NOTES

.....
.....
.....



Max. 1200/Min. 450 mm.

