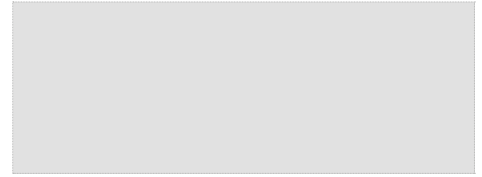


RICHIEDENTE
APPLICANT / CLIENT

.....
.....
.....



TIMBRO / CUSTOMER'S SEAL / TAMPON

MODELLO **DINO : DN-PSC2**
MODEL / MODELE

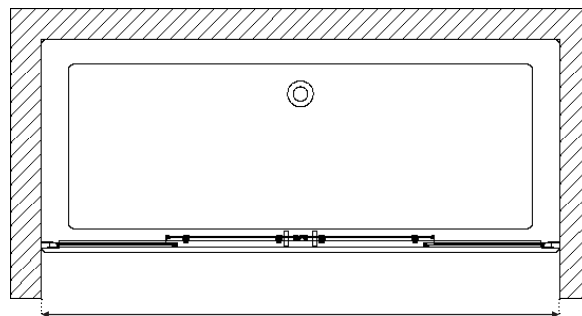
ALTEZZA
HEIGHT / HAUTEUR

..... mm.

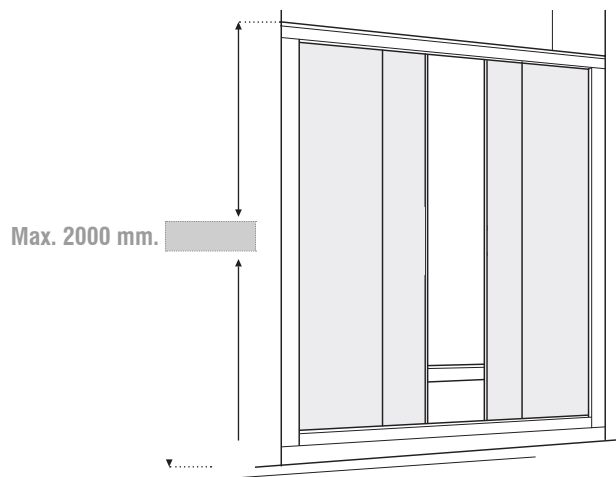
LASTRA
GLASS / VERRE

COLORE
COLOUR / COULEUR

.....
NOTE / NOTES / NOTES
.....
.....



Max. 1800/Min. 1000 mm.



Max. 2000 mm.