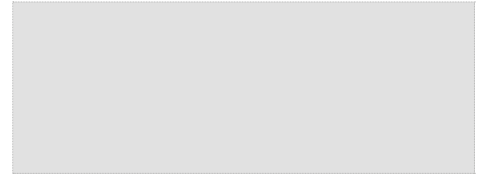


RICHIEDENTE
APPLICANT / CLIENT

.....
.....
.....



TIMBRO / CUSTOMER'S SEAL / TAMPON

MODELLO **DINO : DN-PSC**
MODEL / MODELE

ALTEZZA
HEIGHT / HAUTEUR

..... mm.



REVERSIBILE
REVERSIBLE / REVERSIBLE

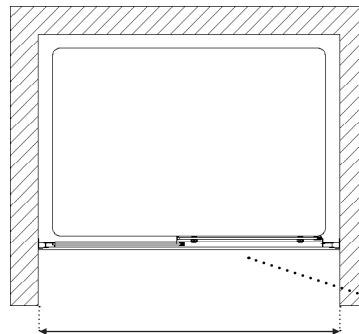
LASTRA
GLASS / VERRE

.....

COLORE
COLOUR / COULEUR

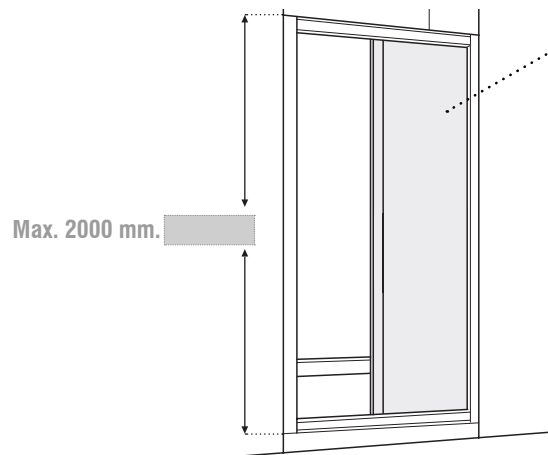
NOTE / NOTES / NOTES

.....
.....
.....



Max. 1700/Min. 900 mm.

Anta / Door / Porte
L. Max. 655 mm.



Max. 2000 mm.