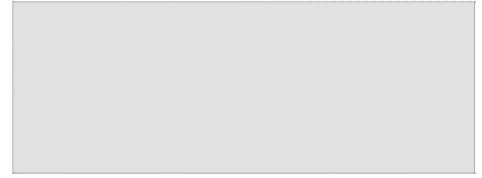


RICHIEDENTE
APPLICANT / CLIENT

.....
.....
.....



TIMBRO / CUSTOMER'S SEAL / TAMPON

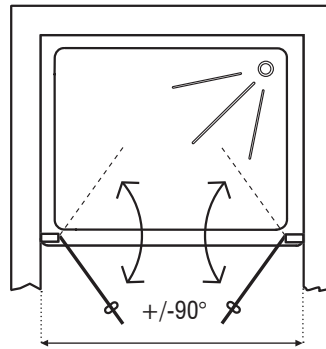
MODELLO **DADO MAXI : DM-PSA2**
MODEL / MODELE

ALTEZZA
HEIGHT / HAUTEUR mm.

LASTRA
GLASS / VERRE

COLORE
COLOUR / COULEUR

NOTE / NOTES / NOTES
.....
.....
.....



Max. 1600/Min. 500 mm.

