

RICHIEDENTE
APPLICANT / CLIENT

.....
.....
.....



TIMBRO / CUSTOMER'S SEAL / TAMPON

MODELLO
MODEL / MODELE **DADO MAXI : DM-PSM**

ALTEZZA
HEIGHT / HAUTEUR mm.

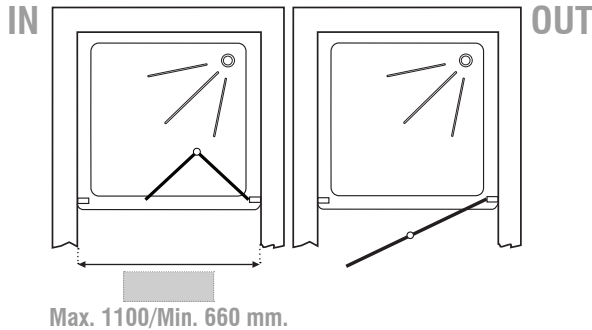


NON REVERSIBILE
NON-REVERSIBLE / NON REVERSIBLE

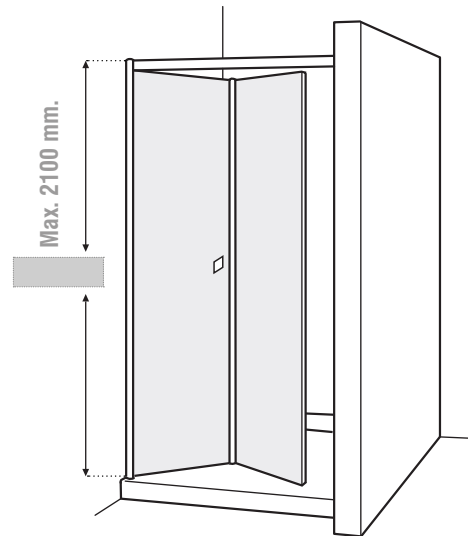
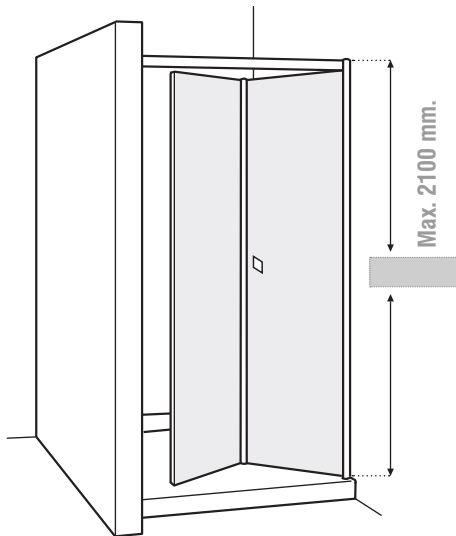
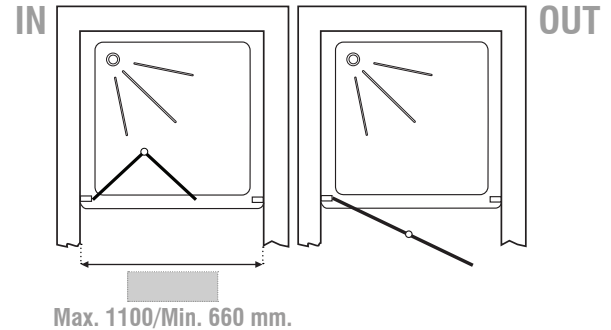
LASTRA
GLASS / VERRE **COLORE**
COLOUR / COULEUR

NOTE / NOTES / NOTES
.....
.....
.....

VERSIONE DESTRA (DX)
RIGHT HANDED (RH) / VERSION DROITE (DR)



VERSIONE SINISTRA (SX)
LEFT HANDED (LH) / VERSION GAUCHE (GA)



DATA - DATE - DATE