

**RICHIEDENTE**  
APPLICANT / CLIENT

.....  
.....  
.....



TIMBRO / CUSTOMER'S SEAL / TAMPON

**MODELLO** **DADO MAXI : DM-PSC**  
MODEL / MODELE

**ALTEZZA** ..... mm.  
HEIGHT / HAUTEUR



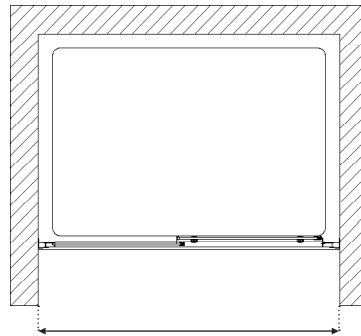
**REVERSIBILE**  
REVERSIBLE / REVERSIBLE

**LASTRA** .....  
GLASS / VERRE

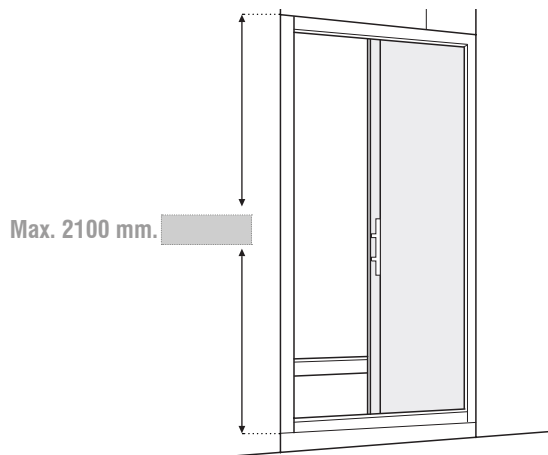
**COLORE** .....  
COLOUR / COULEUR

**NOTE** / NOTES / NOTES

.....  
.....  
.....



Max. 1800/Min. 800 mm.



Max. 2100 mm.

DATA - DATE - DATE .....