

**RICHIEDENTE**  
APPLICANT / CLIENT

.....  
.....  
.....



TIMBRO / CUSTOMER'S SEAL / TAMPON

**MODELLO**  
MODEL / MODELE **VOLO : VO-PBA**

**ALTEZZA**  
HEIGHT / HAUTEUR ..... mm.



**NON REVERSIBILE**  
NON-REVERSIBLE / NON REVERSIBLE

**LASTRA**  
GLASS / VERRE .....

**COLORE**  
COLOUR / COULEUR **Tcrom®**

**INSTALLAZIONE**  
INSTALLATION / TYPE D'INSTALLATION

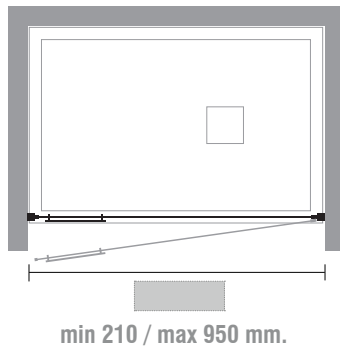
**A PAVIMENTO**  
FLOOR INSTALLATION  
SUR LE SOL

**SU PIATTO DOCCIA**  
SHOWER TRAY INSTALLATION  
SUR RECEVEUR

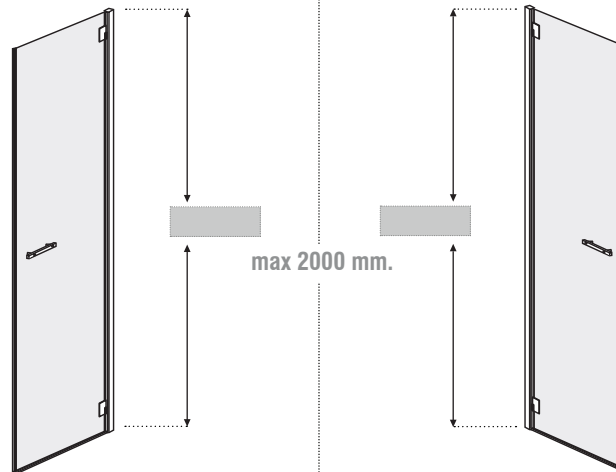
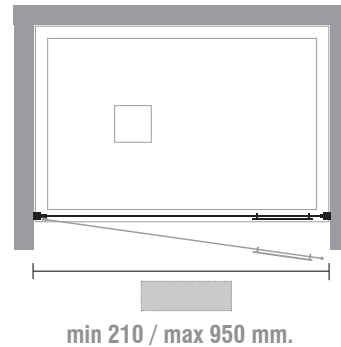
**NOTE** / NOTES / NOTES

.....  
.....  
.....

**VERSIONE DESTRA (DX)**  
RIGHT HANDED (DX) / VERSION DROITE (DX)



**VERSIONE SINISTRA (SX)**  
LEFT HANDED (SX) / VERSION GAUCHE (SX)



DATA - DATE - DATE .....

ver. 05/2020

**RICHIEDENTE**  
APPLICANT / CLIENT

.....  
.....  
.....



TIMBRO / CUSTOMER'S SEAL / TAMPON

**MODELLO**  
MODEL / MODELE **VOLO : VO-PBA+VO-F**

**ALTEZZA**  
HEIGHT / HAUTEUR ..... mm.



**NON REVERSIBILE**  
NON-REVERSIBLE / NON REVERSIBLE

**LASTRA**  
GLASS / VERRE .....

**COLORE**  
COLOUR / COULEUR **Tcrom®**

**INSTALLAZIONE**  
INSTALLATION / TYPE D'INSTALLATION

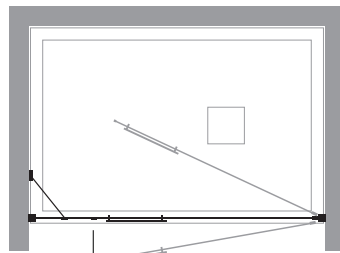
**A PAVIMENTO**  
FLOOR INSTALLATION  
SUR LE SOL

**SU PIATTO DOCCIA**  
SHOWER TRAY INSTALLATION  
SUR RECEVEUR

**NOTE** / NOTES / NOTES

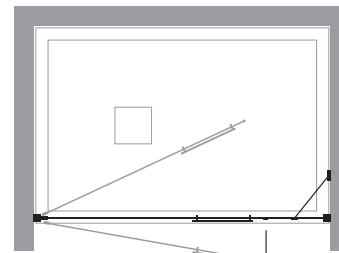
.....  
.....  
.....

**VERSIONE DESTRA (DX)**  
RIGHT HANDED (DX) / VERSION DROITE (DX)

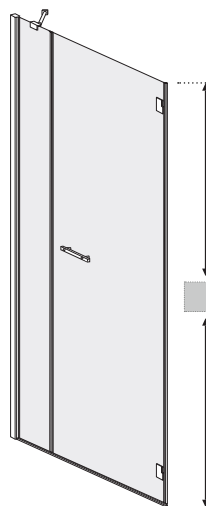


min 120 / max 1800 mm. min 210 / max 950 mm.

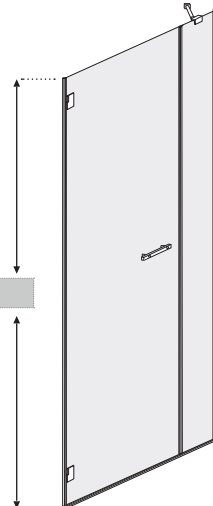
**VERSIONE SINISTRA (SX)**  
LEFT HANDED (SX) / VERSION GAUCHE (SX)



min 210 / max 950 mm. min 120 / max 1800 mm.



max 2000 mm.

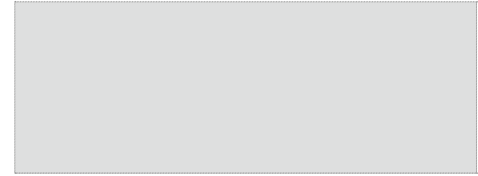


DATA - DATE - DATE .....

ver. 05/2020

**RICHIEDENTE**  
APPLICANT / CLIENT

.....  
.....  
.....



TIMBRO / CUSTOMER'S SEAL / TAMPON

**MODELLO**  
MODEL / MODELE **VOLO : VO-PBA+VO-F**

**ALTEZZA**  
HEIGHT / HAUTEUR ..... mm.



**NON REVERSIBILE**  
NON-REVERSIBLE / NON REVERSIBLE

**LASTRA**  
GLASS / VERRE .....

**COLORE**  
COLOUR / COULEUR **Tcrom®**

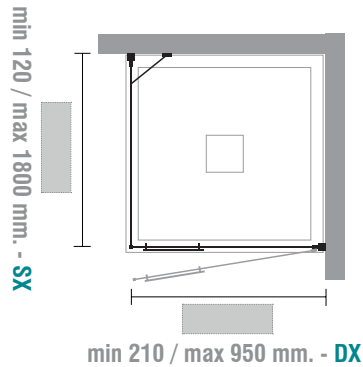
**INSTALLAZIONE**  
INSTALLATION / TYPE D'INSTALLATION  **A PAVIMENTO**  
FLOOR INSTALLATION  
SUR LE SOL

**SU PIATTO DOCCIA**  
SHOWER TRAY INSTALLATION  
SUR RECEVEUR

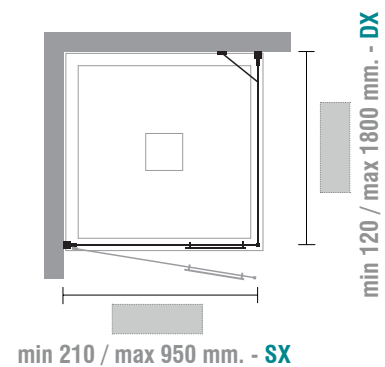
**NOTE** / NOTES / NOTES

.....  
.....  
.....

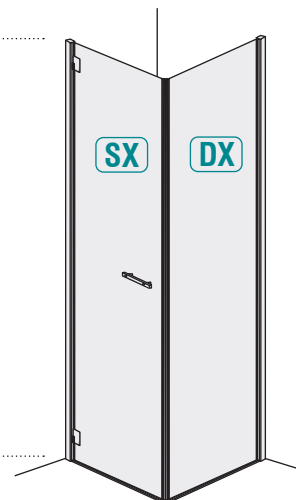
**VERSIONE DESTRA (DX)**  
RIGHT HANDED (DX) / VERSION DROITE (DX)



**VERSIONE SINISTRA (SX)**  
LEFT HANDED (SX) / VERSION GAUCHE (SX)



max 2000 mm.

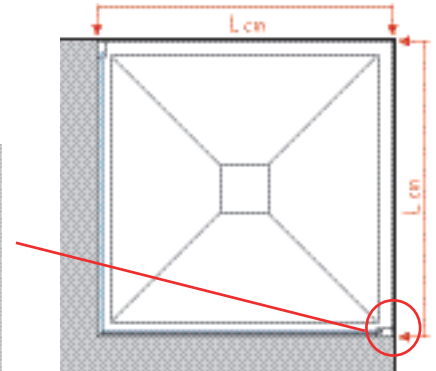
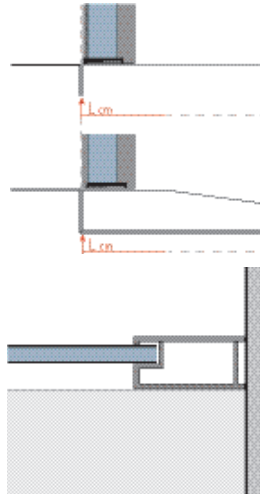
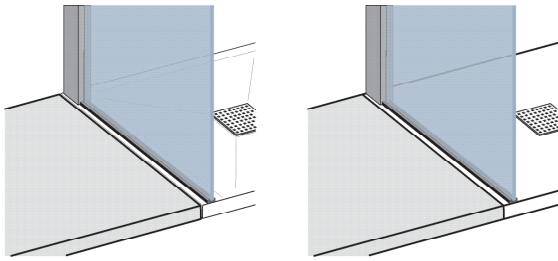


DATA - DATE - DATE .....

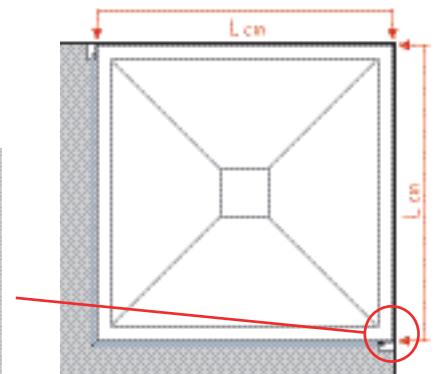
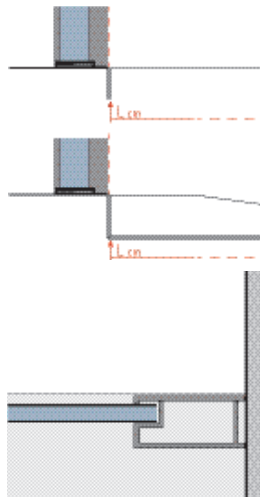
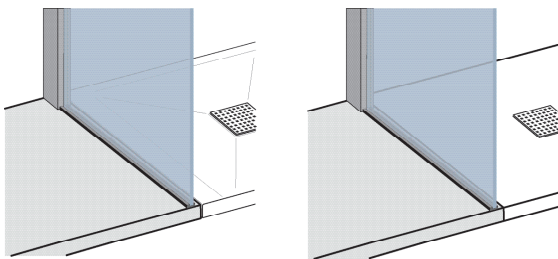
ver. 05/2020

**TIPOLOGIA D'INSTALLAZIONE A PAVIMENTO O SU PIATTO DOCCIA INCASSATO A FILO PAVIMENTO**  
FLOOR INSTALLATION / MONTAGE AU SOL

**PROFILO ALL'INTERNO DELLO SPAZIO DOCCIA**  
**PROFILE INSIDE THE SHOWER AREA**  
**PROFILÉ INTÉRIEUR À L'ESPACE DOUCHE**



**PROFILO ALL'ESTERNO DELLO SPAZIO DOCCIA**  
**PROFILE OUTSIDE THE SHOWER AREA**  
**PROFILÉ EXTÉRIEUR À L'ESPACE DOUCHE**



**FUGA A MEZZERIA DEL VETRO**  
**GLASS ON THE GROUT LINE**  
**VERRE AU DESSUS DU JOINT**

