

RICHIEDENTE
APPLICANT / CLIENT

.....
.....
.....



TIMBRO / CUSTOMER'S SEAL / TAMPON

MODELLO
MODEL / MODELE **MORK : MO-PBA**

ALTEZZA
HEIGHT / HAUTEUR mm.



REVERSIBILE
REVERSIBLE / REVERSIBLE

LASTRA
GLASS / VERRE

COLORE
COLOUR / COULEUR

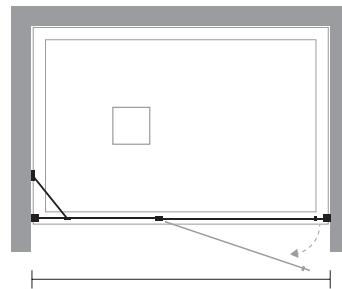
INSTALLAZIONE
INSTALLATION / TYPE D'INSTALLATION

A PAVIMENTO
FLOOR INSTALLATION
SUR LE SOL

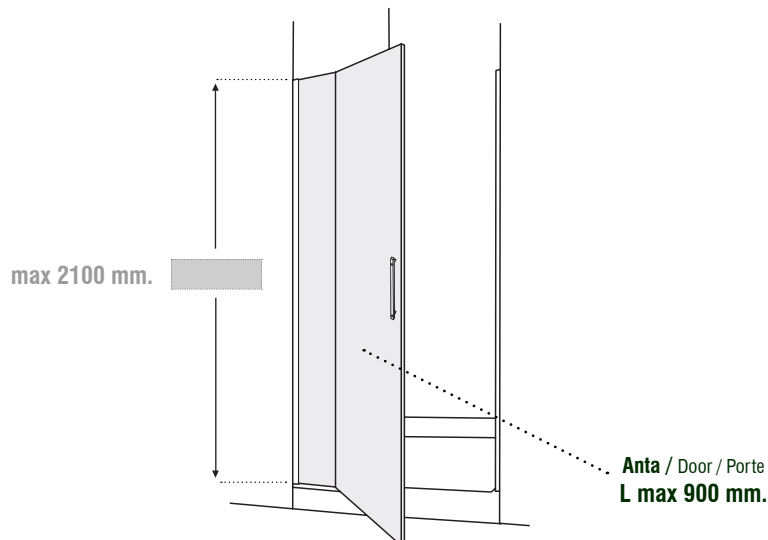
SU PIATTO DOCCIA
SHOWER TRAY INSTALLATION
SUR RECEVEUR

NOTE / NOTES / NOTES

.....
.....
.....



min 410 / max 1800 mm.

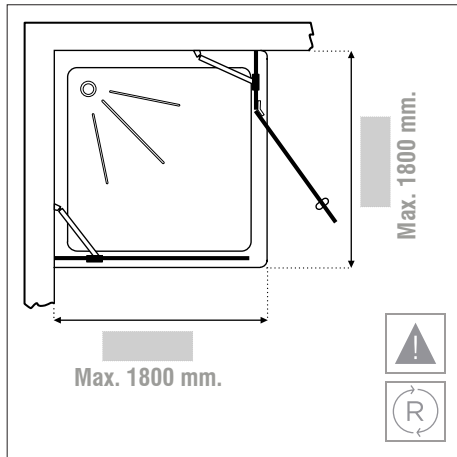


max 2100 mm.

Anta / Door / Porte
L max 900 mm.

DATA - DATE - DATE

ver. 05/2020



RICHIEDENTE
APPLICANT / CLIENT

MODELLO
MODEL / MODELE

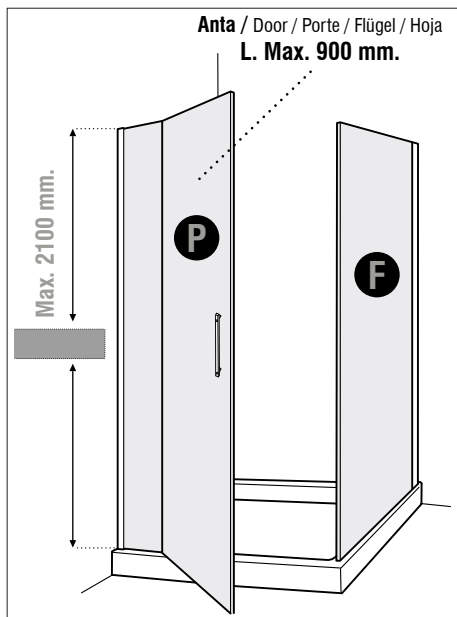
MORK : MO-PBA

ALTEZZA
HEIGHT / HAUTEUR

mm.

COLORE
COLOUR / COULEUR

LASTRA
GLASS / VERRE



INSTALLAZIONE
INSTALLATION / TYPE D'INSTALLATION

A PAVIMENTO
FLOOR INSTALLATION
SUR LE SOL

SU PIATTO DOCCIA
SHOWER TRAY INSTALLATION
SUR RECEVEUR

NOTE / NOTES / NOTES

TIPOLOGIA D'INSTALLAZIONE A PAVIMENTO
FLOOR INSTALLATION / MONTAGE AU SOL

MONTAGGIO: "STANDARD COME SU PIATTO DOCCIA"
STANDARD INSTALLATION AS ON SHOWER TRAY
MONTAGE COMME SUR RECEVEUR DE DOUCHE



MONTAGGIO: "CON FUGA A MEZZERIA DEL VETRO"
INSTALLATION WITH CENTER OF THE GLASS ON THE GROUT LINE BETWEEN TILES
MONTAGE AVEC JOINT CARRELAGE AU CENTRE DU VERRE

