

**RICHIEDENTE**  
APPLICANT / CLIENT

.....  
.....  
.....



TIMBRO / CUSTOMER'S SEAL / TAMPON

**MODELLO** **ROCCO : RO-6**  
MODEL / MODELE

**ALTEZZA** ..... mm.  
HEIGHT / HAUTEUR



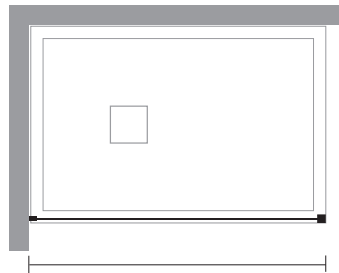
**REVERSIBILE**  
REVERSIBLE / REVERSIBLE

**LASTRA** .....  
GLASS / VERRE

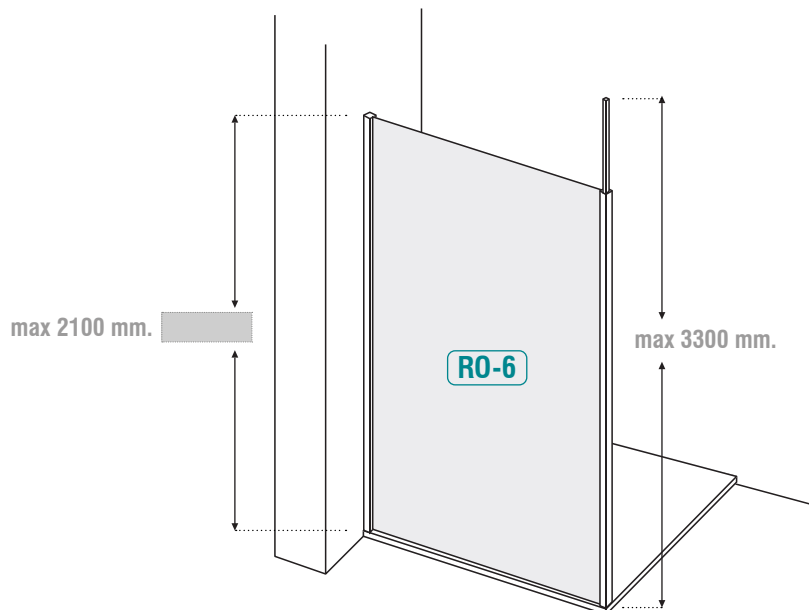
**COLORE** .....  
COLOUR / COULEUR

**NOTE** / NOTES / NOTES

.....  
.....  
.....



min 100 / max 1800 mm.



**RICHIEDENTE**  
APPLICANT / CLIENT

.....  
.....  
.....



TIMBRO / CUSTOMER'S SEAL / TAMPON

**MODELLO** **ROCCO : RO-6+RO-L6**  
MODEL / MODELE

**ALTEZZA** ..... mm.  
HEIGHT / HAUTEUR



**REVERSIBILE**  
REVERSIBLE / REVERSIBLE

**LASTRA** .....  
GLASS / VERRE

**COLORE** .....  
COLOUR / COULEUR

**NOTE** / NOTES / NOTES

.....  
.....  
.....

