

RICHIEDENTE
APPLICANT / CLIENT

.....
.....
.....



TIMBRO / CUSTOMER'S SEAL / TAMPON

MODELLO
MODEL / MODELE

VITO : VI-C8

ALTEZZA
HEIGHT / HAUTEUR

2000

mm.



REVERSIBILE
REVERSIBLE / REVERSIBLE

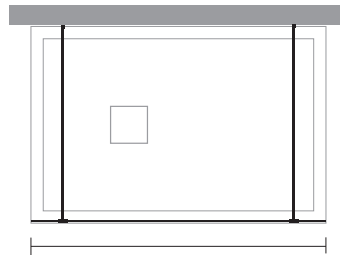
LASTRA
GLASS / VERRE

COLORE
COLOUR / COULEUR

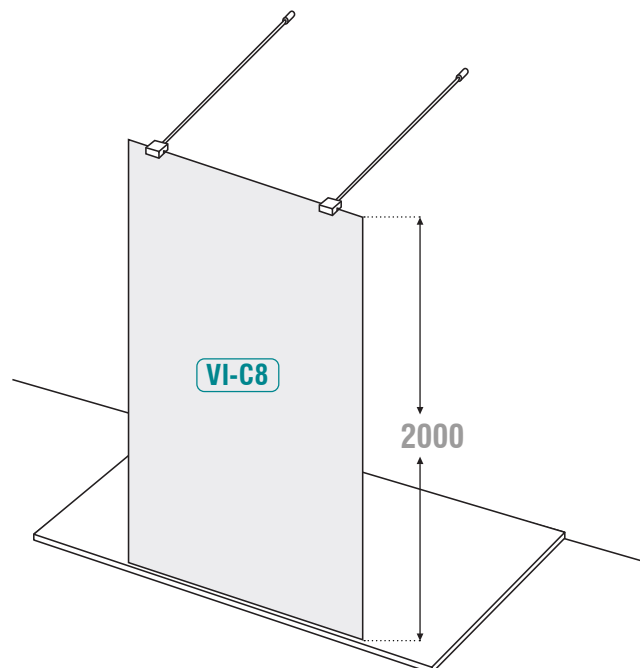
Nero

NOTE / NOTES / NOTES

.....
.....
.....



min 875 / max 1575 mm.



Attenzione!
SPECIALE: non disponibile
SPECIAL: not available
SUR MESURE: non disponible