

RICHIEDENTE
APPLICANT / CLIENT

.....
.....
.....



TIMBRO / CUSTOMER'S SEAL / TAMPON

MODELLO **LEO : L-6**
MODEL / MODELE

ALTEZZA mm.
HEIGHT / HAUTEUR



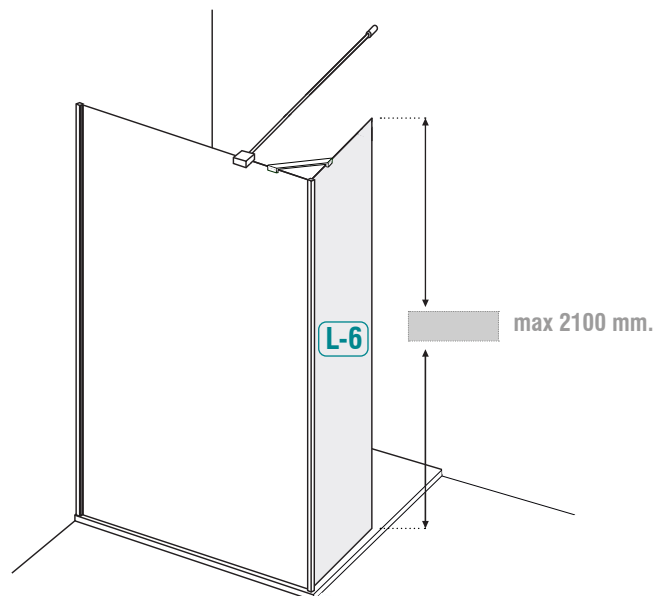
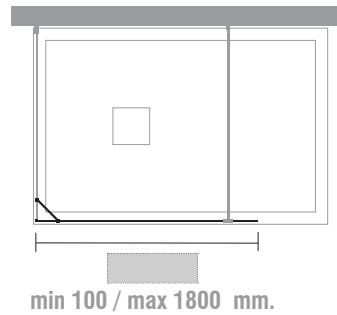
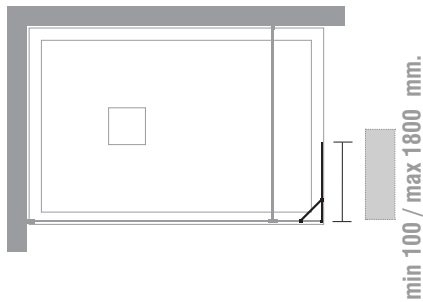
REVERSIBILE
REVERSIBLE / REVERSIBLE

LASTRA
GLASS / VERRE

COLORE
COLOUR / COULEUR

NOTE / NOTES / NOTES

.....
.....
.....



DATA - DATE - DATE

ver. 05/2020