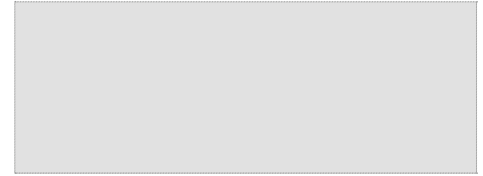


**RICHIEDENTE**  
APPLICANT / CLIENT

.....  
.....  
.....



TIMBRO / CUSTOMER'S SEAL / TAMPON

**MODELLO**  
MODEL / MODELE **INOX RAIL : IR-TSC**

**ALTEZZA**  
HEIGHT / HAUTEUR **2015** mm.



**NON REVERSIBILE**  
NON-REVERSIBLE / NON REVERSIBLE

**LASTRA**  
GLASS / VERRE **TRASPARENTE**

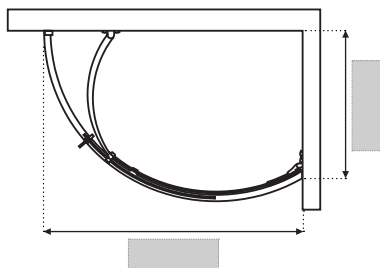
**COLORE**  
COLOUR / COULEUR **INOX**

**INSTALLAZIONE A PAVIMENTO**  
FLOOR INSTALLATION / SUR LE SOL

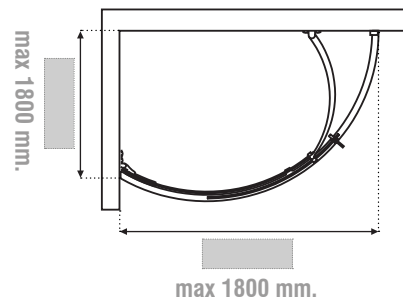
**NOTE** / NOTES / NOTES

.....  
.....  
.....

**VERSIONE DESTRA (DX)**  
RIGHT HANDED (DX) / VERSION DROITE (DX)



**VERSIONE SINISTRA (SX)**  
LEFT HANDED (SX) / VERSION GAUCHE (SX)



**Attenzione!**

disponibile solo **SPECIALE**  
only **SPECIAL** available  
disponible seulement **SUR MESURE**

