

RICHIEDENTE
APPLICANT / CLIENT

.....
.....
.....



TIMBRO / CUSTOMER'S SEAL / TAMPON

MODELLO **INOX SCROLL : IS-PSC**
MODEL / MODELE

ALTEZZA **2000**
HEIGHT / HAUTEUR mm.



NON REVERSIBILE
NON-REVERSIBLE / NON REVERSIBLE

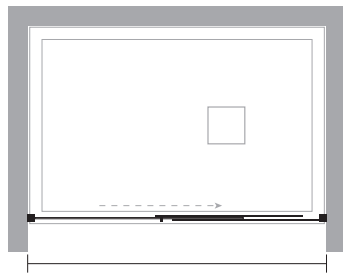
LASTRA
GLASS / VERRE

COLORE **INOX**
COLOUR / COULEUR

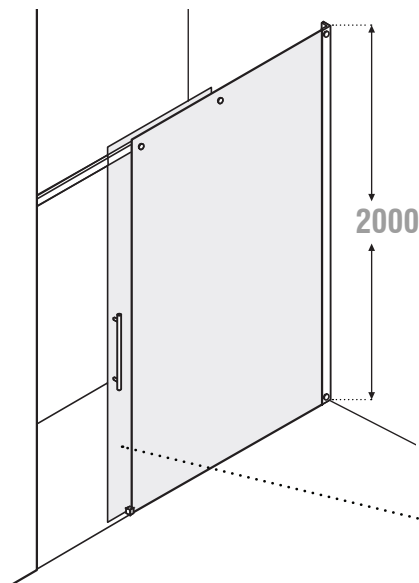
NOTE / NOTES / NOTES

.....
.....
.....

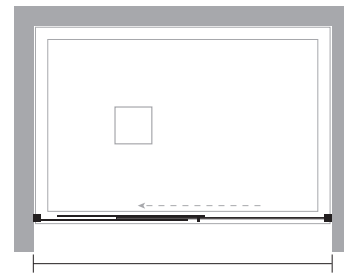
VERSIONE DESTRA (DX)
RIGHT HANDED (DX) / VERSION DROITE (DX)



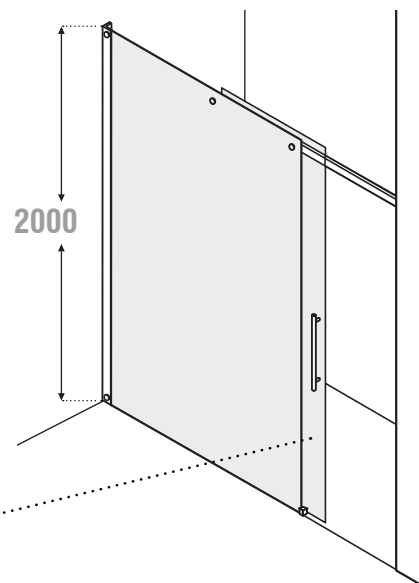
min 900 / max 2100 mm.



VERSIONE SINISTRA (SX)
LEFT HANDED (SX) / VERSION GAUCHE (SX)



min 900 / max 2100 mm.



Anta / Door / Porte
L max 715 mm.

DATA - DATE - DATE