

RICHIEDENTE
APPLICANT / CLIENT

.....
.....
.....



TIMBRO / CUSTOMER'S SEAL / TAMPON

MODELLO **OTTAVIO : OT-PSC2**
MODEL / MODELE

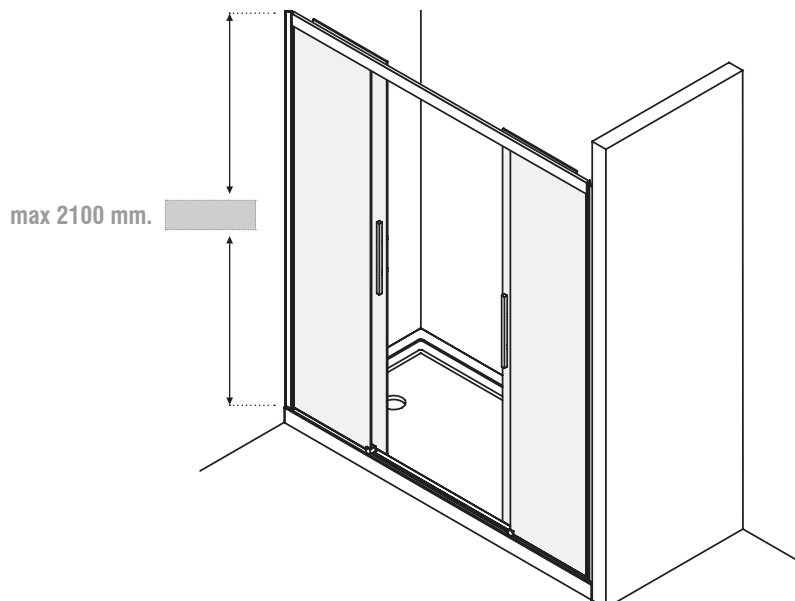
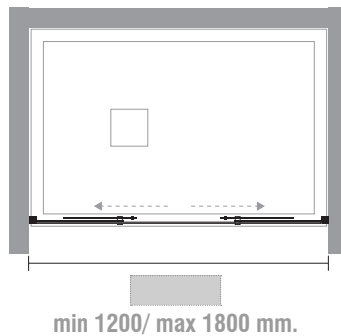
ALTEZZA
HEIGHT / HAUTEUR mm.

LASTRA
GLASS / VERRE

COLORE
COLOUR / COULEUR

NOTE / NOTES / NOTES

.....
.....
.....



DATA - DATE - DATE

ver. 05/2020